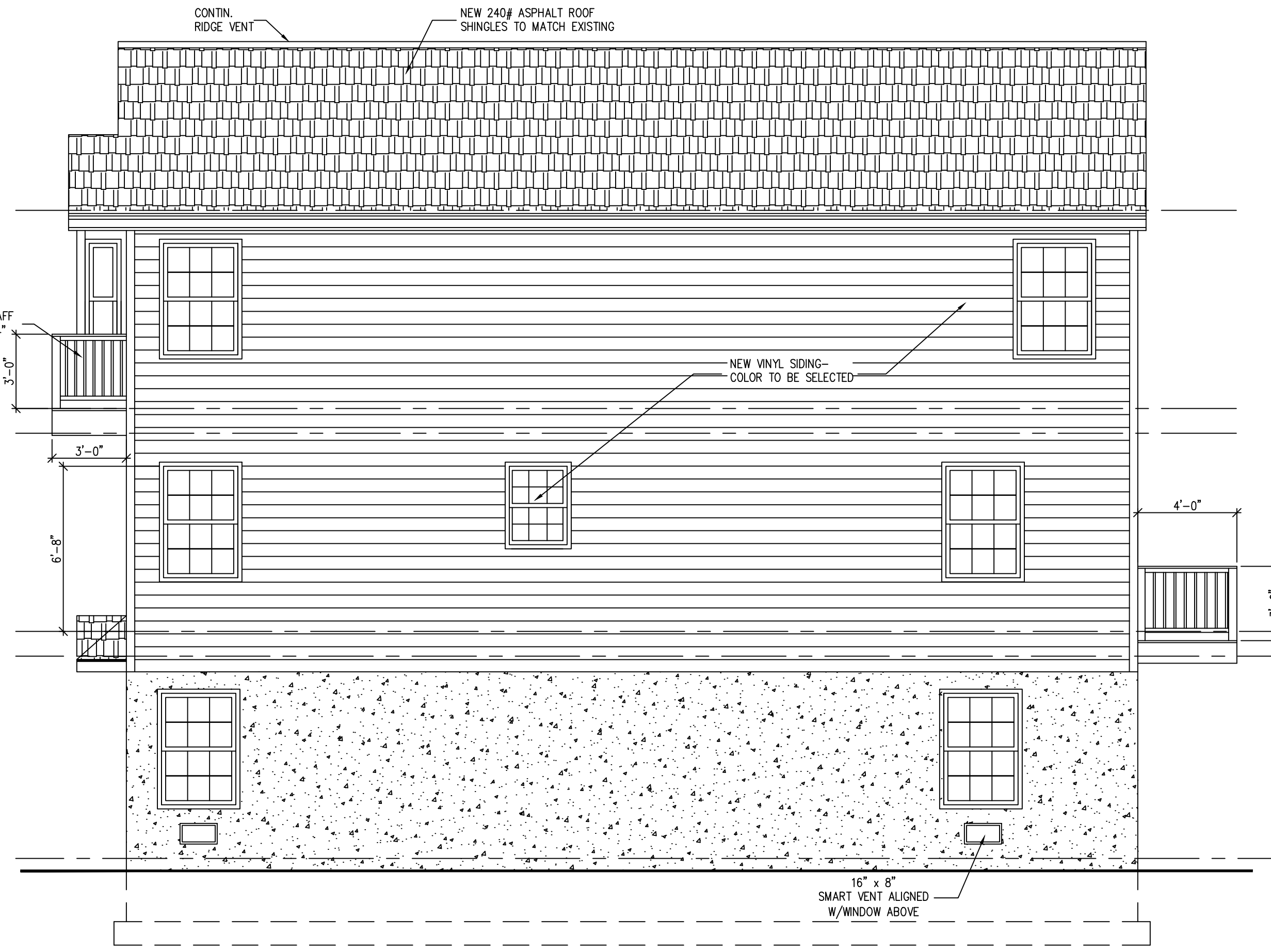
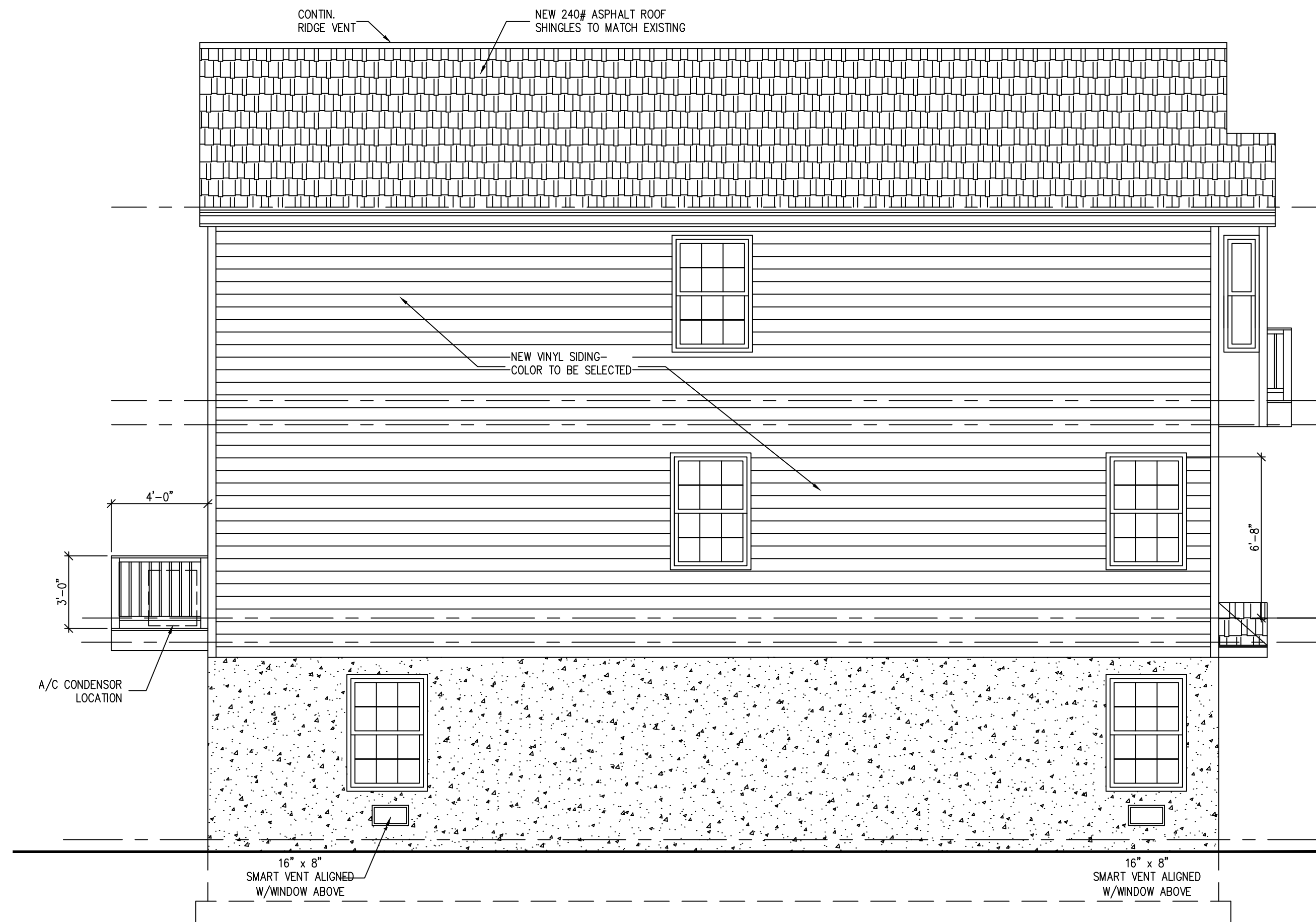


FRONT ELEVATION



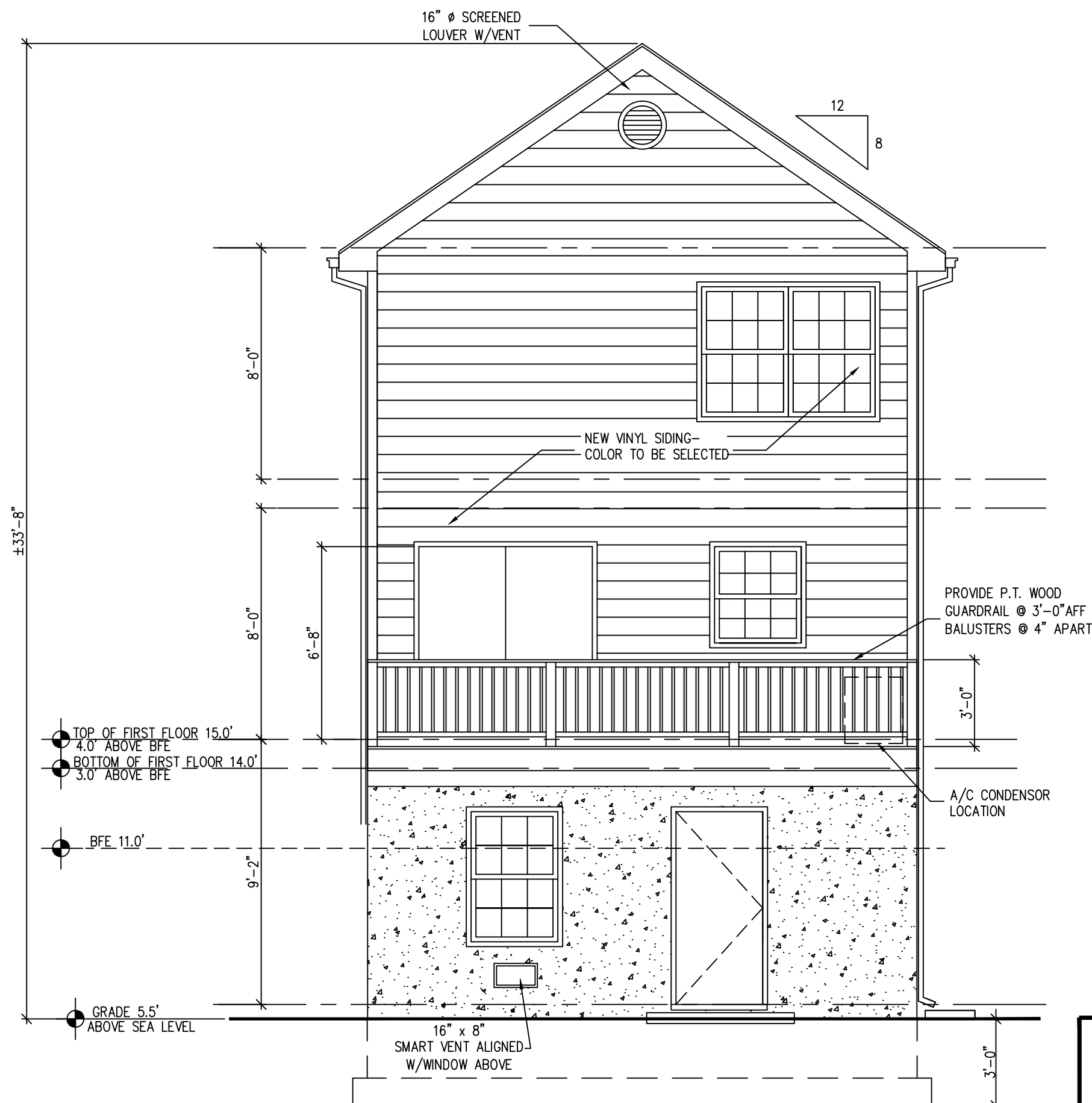
RIGHT SIDE ELEVATION

LEFT FACADE AREA = 1,030 S.F.
 WINDOW AREA = 485 S.F.
 PERMITTED WINDOW/FACADE PERCENTAGE 25% MAX. = .25 X 1030 = 257 S.F.
 PROPOSED WINDOW/FACADE PERCENTAGE = 85/1030 = 8.3%

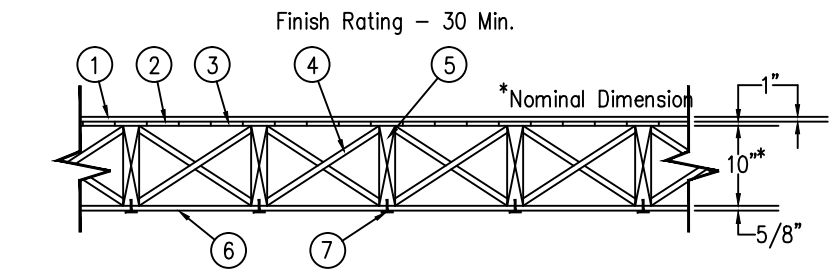


LEFT SIDE ELEVATION

RIGHT FACADE AREA = 1,030 S.F.
 WINDOW AREA = 485 S.F.
 PERMITTED WINDOW/FACADE PERCENTAGE 25% MAX. = .25 X 1030 = 257 S.F.
 PROPOSED WINDOW/FACADE PERCENTAGE = 85/1030 = 8.3%

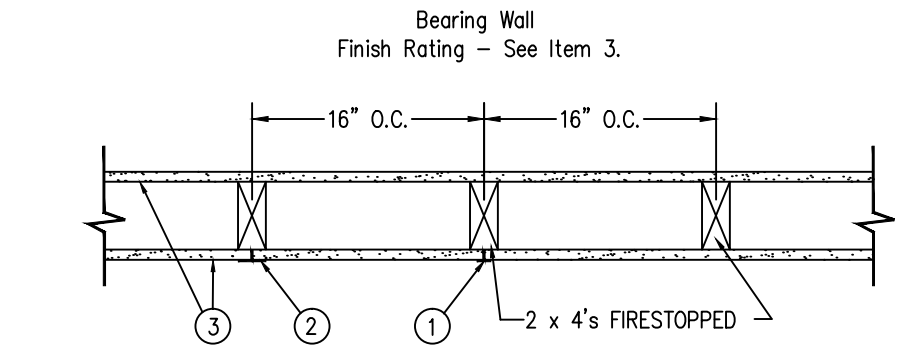


REAR ELEVATION



- 1, 2, 3. Flooring Systems - The finish flooring (Item 1), vapor barrier (Item 2) and the sub-flooring (Item 3), may consist of any one of the following systems:
 System No. 1
 Finish Flooring - 1 by 4 in. T & G, laid perpendicular to joists, or 19/32 in. thick plywood, minimum grade "Underlayment" or "Sturd-i-Floor" with T & G long edges and conforming to PS 1-83 specifications. Face grain of plywood to be perpendicular to joists with joints staggered.
 Vapor Barrier - Commercial rosin-sized, 0.010 in. thick.
 Sub-Flooring - 1 by 6 in. T & G, fastened diagonally to joists, or 15/32 in. thick plywood minimum grade "C-0" Exposure 1 or "C-0" with exterior glue conforming to PS 1-83 specifications. Face grain of plywood to be perpendicular to the joists with joints staggered.
4. Cross Bridging - 1 by 3 in.
5. Wood Joists - 2 by 10 in., spaced 16 in. O.C., firestopped.
6. Wallboard, Gypsum* - 5/8 in. thick. Sheets of wallboard (or lath) installed with long dimension perpendicular to joists and fastened to each joist with 1-7/8 in. long, 6d cement-coated nails spaced 6 in. O.C.
 Celotex Corp. - Type A, B, C, FRP or SF3.
 Domett Gypsum - Type C, 4, 5 or 9.
 Georgia Pacific Corp., Gypsum Div. - Type GPF51, GPF53, GPF54 or GPF56.
 Gold Bond Building Products - Types FSW, FSW6, FSW2, FSK or FSK-6.
 Norwest Gypsum Inc. - Type Fire X.
 Pabco Gypsum - Types PG-3, PG-4, PG-6.
 Republic Gypsum Co. - Type RG-1 or RG-3.
 Temple Gypsum Inc. - Types -3, WPB-3.
 United States Gypsum Co. - Type C, D, IP-X1, IP-X2, SCX, SHX or WRX.
 Western Gypsum Co. - Type 1.
 Weyerhaeuser Co., Gypsum Div. - Type DDM1, DDM2 or DDM3.
 Windsor Gypsum Inc. - Type WTR or WTR-G.
7. Finishing System - Fiber tape embedded in compound over joints and exposed nail heads, covered with compound with edges of compound feathered out. As an alternate, nom. 3/32 in. thick gypsum veneer plaster may be applied to the entire surface of Classified veneer baseboard. Joints reinforced.
8. Steel Corner Fasteners - (Optional - not shown) - Used to attach ends of wallboard at wall intersection where joists run parallel to wall. Channel shaped, 2 in. long by 1 in. high on the back side with two 1/8 in. wide cleats protruding into the 5/8 in. wide channel, fabricated from 24 gauge galvanized steel. Fasteners nailed to face of wall bearing plate through fastener tab with one No. 6d cement-coated nail, spaced not greater than 16 in. O.C. and 2 in. from edge of wallboard. Fasteners covered with gypsum wallboard facing applied to intersecting wall.

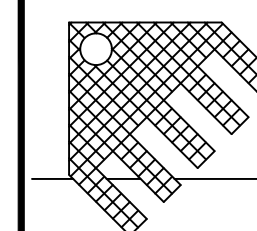
DESIGN # L501
 UNRESTRAINED ASSEMBLY RATING - 1 HOUR



1. Nailheads - Exposed or covered with joint compound.
2. Joints - Exposed or covered with fiber tape and joint compound, except where required for specific edge configuration. For tapered, rounded-edge wallboard, joints covered with joint compound or fiber tape and joint compound. As an alternate, nom. 3/32 in. thick gypsum veneer plaster may be applied to the entire surface of Classified veneer baseboard. Joints reinforced.
3. Wallboard Gypsum* - 5/8 in. thick wallboard paper or vinyl surfaced, with beveled square or tapered edges. Wallboard nailed 7 in. O.C. with 6d cement-coated nails 1-7/8 in. long, 0.0915 in. shank diam. and 1/4 in. diam. heads. When used in widths of other than 48 in. wallboard is to be installed horizontally.
 Canadian Gypsum Co., Ltd. - Types SCX, SHX, WRX (finish rating 26 min.), Type C (finish rating 26 min.).
 Celotex Corp. - Type SF3 (finish rating 20 min.), Type A (finish rating 21 min.), Type B (finish rating 20 min.), Type C (finish rating 21 min.) or FRP.
 Domett Gypsum - Type C (finish rating 26 min.), Type 4 (finish rating 26 min.), Type 5 (finish rating 26 min.), Type 6, Type 8 (finish rating 23 min.) or Type 9 (finish rating 26 min.).
 Georgia-Pacific Corp., Gypsum Div. - Type GPF51 (finish rating 20 min.), Type GPF52 (finish rating 20 min.), Type GPF53 (finish rating 20 min.), Type GPF54 (finish rating 20 min.) or Type GPF56 (finish rating 26 min.).
 Gold Bond Building Products - Type FSW (finish rating 20 min.), Type FSW-G (finish rating 20 min.), Type FSW2 (finish rating 24 min.), Type FSW3 (finish rating 20 min.), Type FSW4 (finish rating 20 min.), Type FSK (finish rating 20 min.) or FSK-G (finish rating 20 min.).
 Norwest Gypsum - Type Fire X (finish rating 26 min.).
 Pabco Gypsum - Type PG-2 (finish rating 20 min.), PG-3 (finish rating 20 min.), PG-3W (finish rating 20 min.), PG-4 (finish rating 20 min.), PG-6 (finish rating 23 min.), PG-3WS (finish rating 20 min.).
 Republic Gypsum Co. - Type RG-1 (finish rating 20 min.), Type RG-2 (finish rating 20 min.), Type RG-3 (finish rating 20 min.) or Type RG-4 (finish rating 26 min.).
 Temple Gypsum, Inc. - Types -3 (finish rating 20 min.), WPB-3 (finish rating 20 min.), FR-WR (finish rating 20 min.).
 Three Rivers Gypsum Inc. - Type 3R3 (finish rating 20 min.).
 United States Gypsum Co. - Type SCX (finish rating 26 min.), Type C (finish rating 26 min.), Type WRX (finish rating 26 min.), Type WR-G (finish rating 26 min.), Type D (finish rating 23 min.), Type IP-X1 (finish rating 26 min.), Type FOV (finish rating 26 min.), Type IP-X2 (finish rating 26 min.), Type SHX (finish rating 26 min.) or Type SHC (finish rating 26 min.).
 Western Gypsum Co. - Type 1 (finish rating 26 min.).
 Weyerhaeuser Co., Gypsum Div. - Type DDM1 (finish rating 20 min.), Type DDM2 (finish rating 20 min.), Type DDM3 (finish rating 20 min.) or Type DDMG (finish rating 20 min.).
 Windsor Gypsum Inc. - Type WTR (finish rating 20 min.), Type WTR-3 (finish rating 20 min.) or WTR-G (finish rating 20 min.).
4. Steel Corner Fasteners - (Optional) - For use at wall corners. Channel Shaped, 2 in. long by 1 in. high on the back side with two 1/8 in. wide cleats protruding into the 5/8 in. wide channel, fabricated from 24 gauge galv. steel. Fasteners applied only to the end or cut edge (not along tapered edges) of the wallboard, no greater than 2 in. from corner of wallboard, max spacing 16 in. O.C. Nailed to adjacent stud through tab using one No. 6d cement-coated nail per fastener. Corners of wall board shall be nailed to top and bottom plate using No. 6d cement-coated nails.
5. Batts and Blanket - (Not Shown) - optional glass fiber or mineral wool insulation.
 Owens - Corning Fiberglas Corp.
 USG Acoustical Products Co.

DESIGN # U305
 ASSEMBLY RATING - 1 HOUR

ALBERT ONDAR
 NJ LIC NO 10786



A. Ondar Design
 Architecture

ALBERT ONDAR
 19 TRUMAN DRIVE, MARLBORO
 N.J. 07746 (732) 261-9641
 EMAIL: archAOD@aol.com

REV	DATE	DESCRIPTION
Sandy Beaches LLC.		
102 Center Avenue Keansburg, New Jersey		
Elevations/Details		
DWN: GDR	AOD NO: 2337	A-2
SCALE: 1/4" = 1'-0"	DATE: 07.06.23	